

Mango-M32

STM32F103XXX Module

DATE: 27 AUG 2009

P10-1 TITLE
P10-2 SYSTEM BLOCK
P10-3 HISTORY
P100 - STM32
P200 - TRANCEIVER_PA
P300 - Power_USB_RS232

Mango-M32		
Title TITLE		
Size A	Document Number <Doc>	Rev 0.1
Date:	Monday, October 05, 2009	Sheet 1 of 5

5

4

3

2

1

D

D

C

C

B

B

A

A

Mango-M32		
Title		
Block Diagram		
Size	Document Number	Rev
A4	<Doc>	0.1
Date:	Thursday, August 27, 2009	Sheet 2 of 5

5

4

3

2

1

D

D

C

C

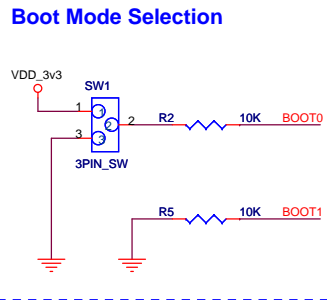
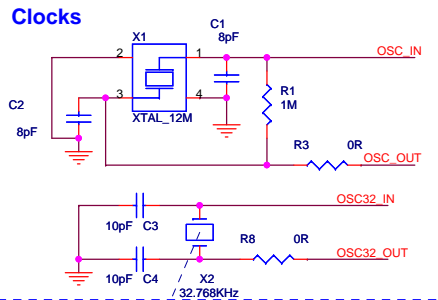
B

B

A

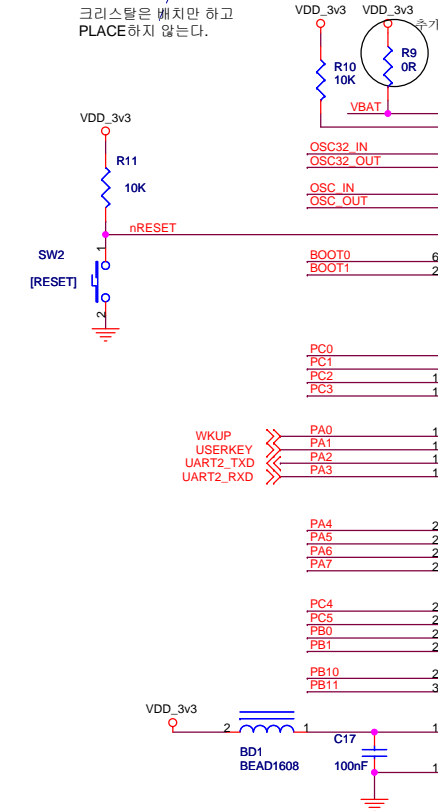
A

Mango-M32		
Title		
Revision History		
Size	Document Number	Rev
A4	<Doc>	0.1
Date: Thursday, August 27, 2009		Sheet 3 of 5
2		1



Boot Mode Selection		Boot Mode
Boot1	Boot0	
X	0	User Flash memory
0	1	System Memory
1	1	Embedded SRAM

크리스탈은 배치만 하고 PLACE하지 않는다.



STM32F103RBT6_LQFP64

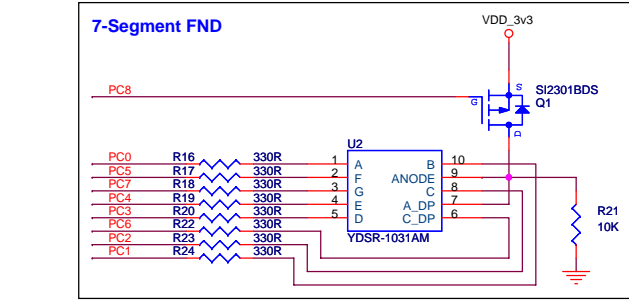
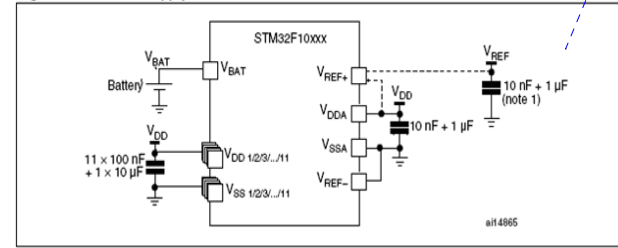
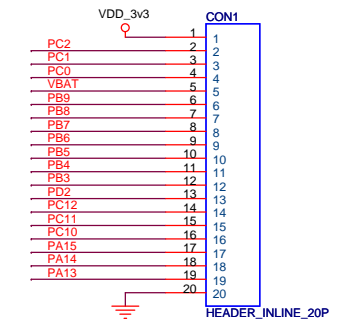
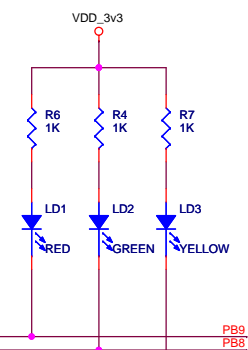


Figure 2. Power supply scheme

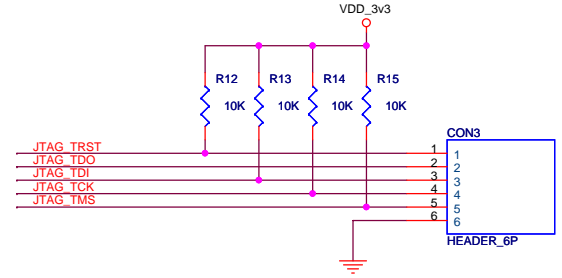
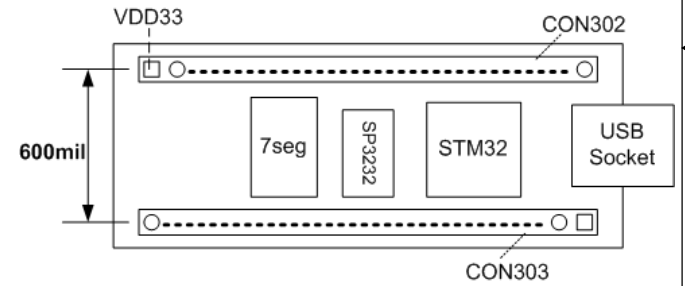
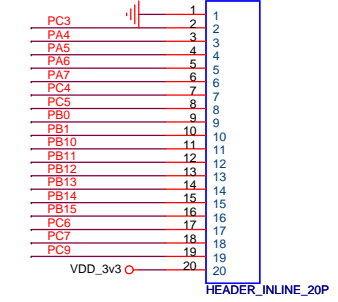


- Optional. If a separate, external reference voltage is connected on VREF+, the two capacitors (10 nF and 1 µF) must be connected.
- VREF+ is either connected to VDDA or to VREF.

Power Supply 설계 가이드(레퍼 CAP 배치)



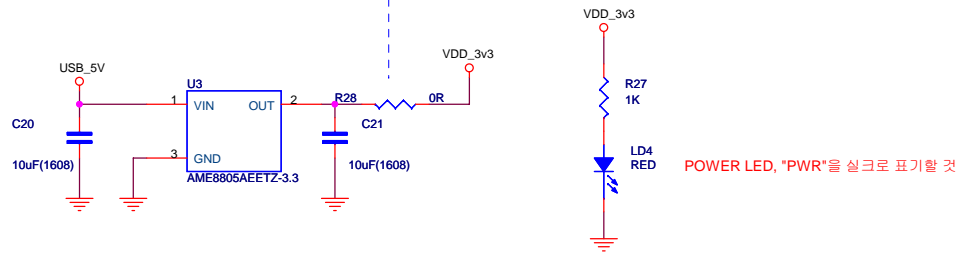
2.54Pitch X 2



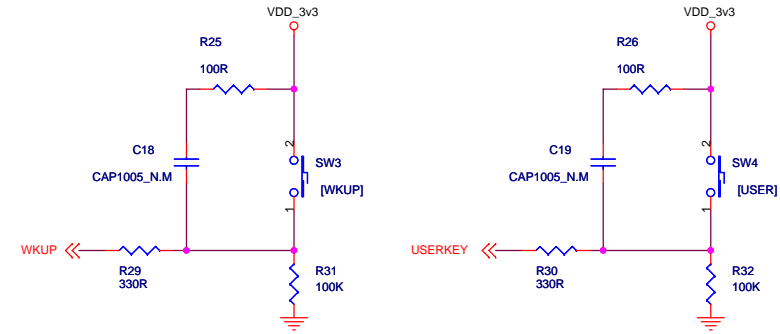
Title		
Mango-M32		
STM32 Microcontroller		
Size	Document Number	Rev
A3	<Doc>	0.1
Date:	Thursday, August 27, 2009	Sheet 4 of 5

Main Power

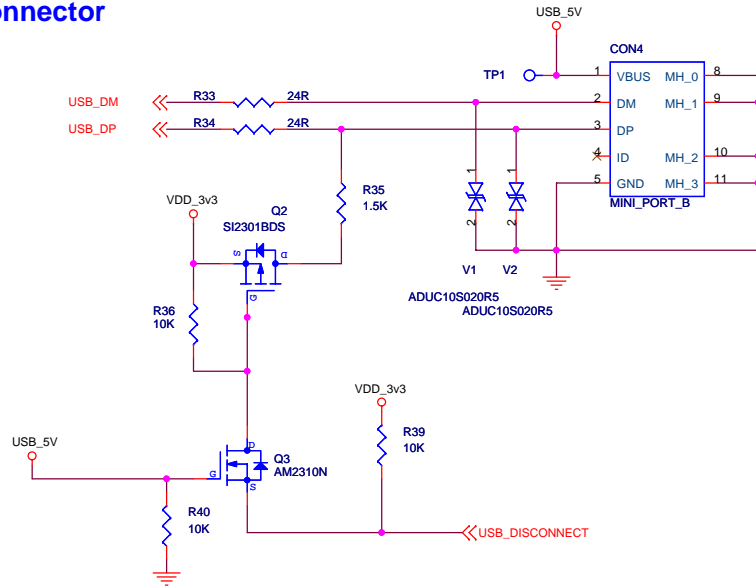
파워선택, USB파워를 쓸 경우-센트 장착,
커넥터에서 파워를 가져올 경우-센트제거



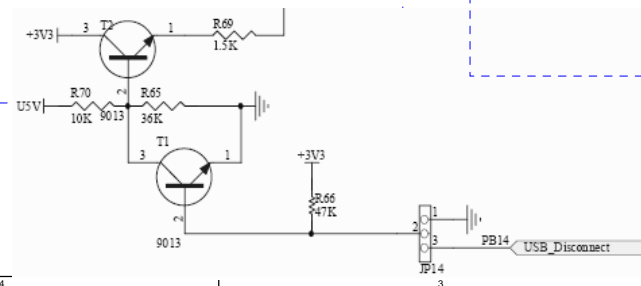
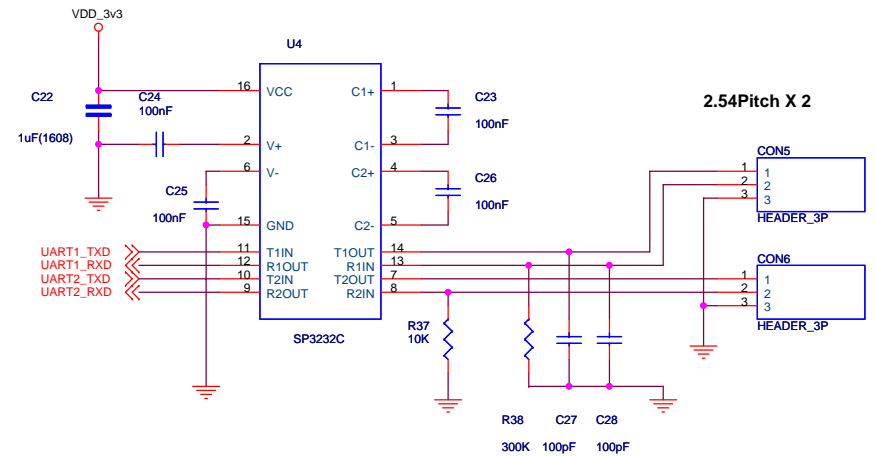
Keys



USB Connector



RS-232C



Title		
Mango-M32 Peripherals		
Size A3	Document Number <Doc>	Rev 0.1
Date:	Thursday, August 27, 2009	Sheet 5 of 5