

Project Name : CX GYRO

Revision : V1.0

DATE: 2012.04.16

Table Of Contents

- P01 TITLE**
- P02 SYSTEM BLOCK DIAGRAM**
- P03 REVISION HISROY**
- P04 MAIN**

Part Reference

- U : Component**
- X : Crystal**
- C : Capacitor**
- R : Resistor**
- SW : Switch**
- LD : Chip LED**
- CON : Connectors**
- H : Hole**
- TP : Test Point**
- V : ESD Varistor**
- JP : Jumper Connector**
- Q : Transistor**

TITLE		
Title		
CX REMOCON		
Size	Document Number	Rev
A	<Doc>	1.0
Date:	Tuesday, April 17, 2012	Sheet 1 of 4

BLOCK DIAGRAM

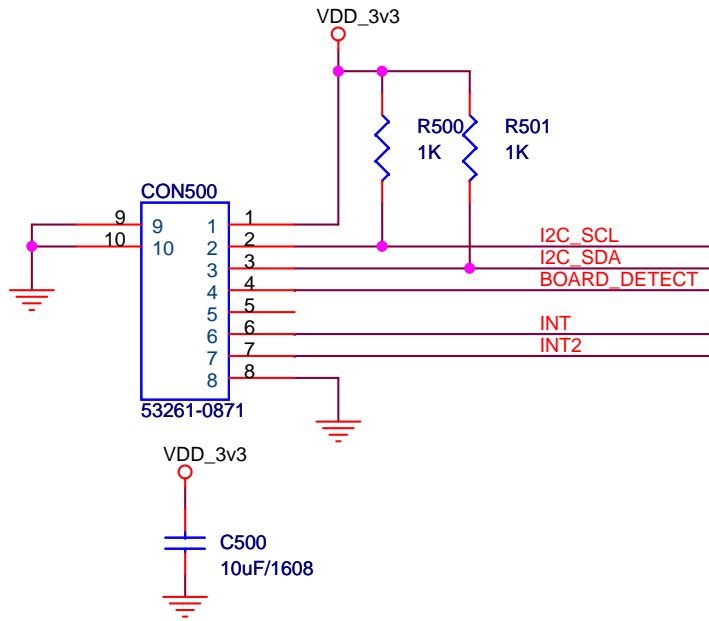
BLOCK DIAGRAM		
Title CX GYRO		
Size A	Document Number <Doc>	Rev 0.1
Date:	Tuesday, April 17, 2012	Sheet 2 of 4

Revision Histroy

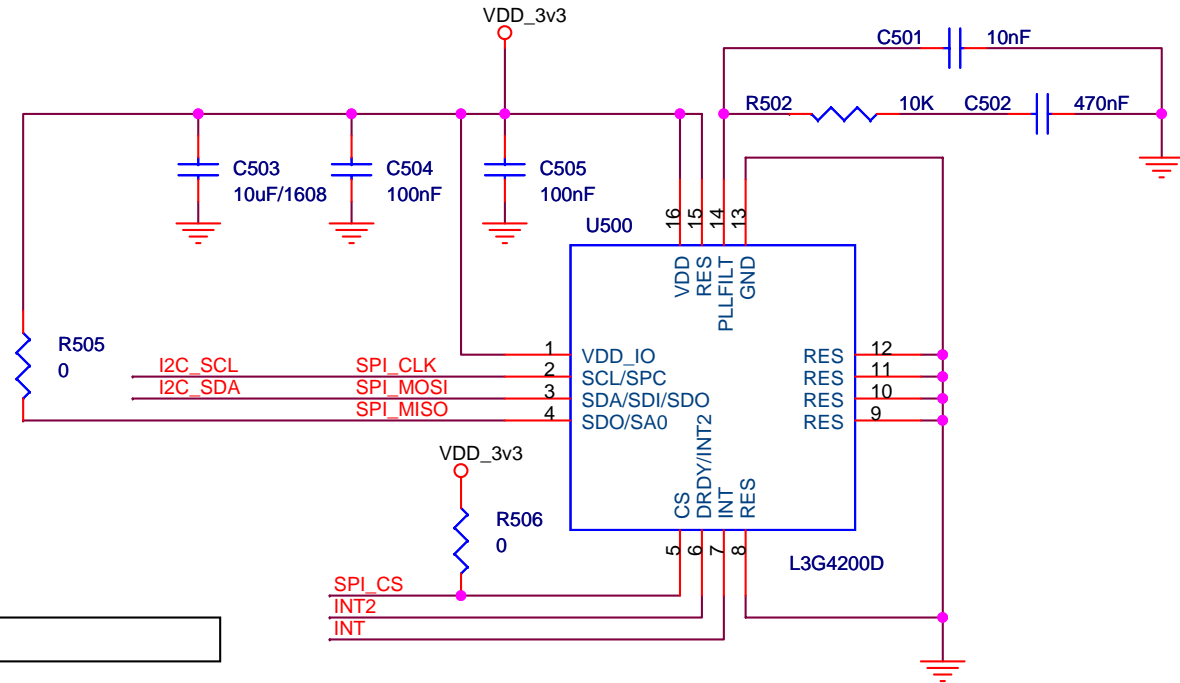
DATE : 2012.02.29	V0.1	01. START
DATE : 2012.04.16	V1.0	01. U500 4, 5번 VDD 연결 (I2C)

REVISION HISTORY		
Title		
CX GYRO		
Size	Document Number	Rev
B	<Doc>	0.1
Date:	Tuesday, April 17, 2012	Sheet 3 of 4

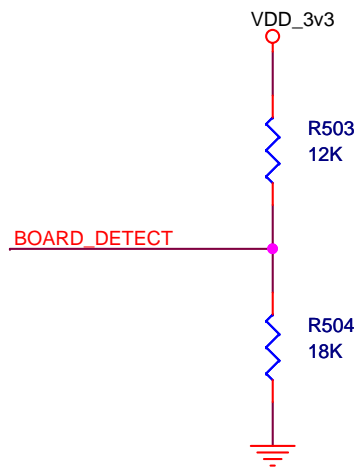
Connector



ROM-WT138L_N



Board Detect



12 bit adc resolution is 4096
 $3.3V / 4096 = 0.0008056640625 V$

J Class resistance 9000 ohm -> 9450 ~ 8550
 J Class resistance 1000 ohm -> 950 ~ 1050

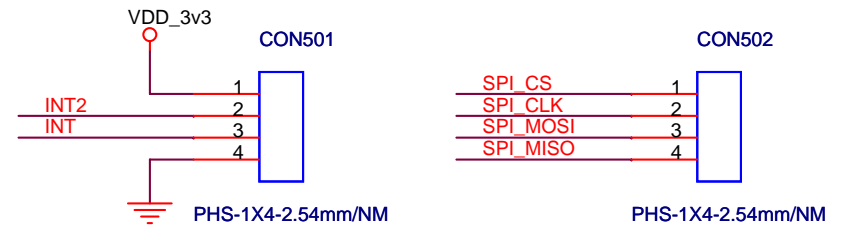
$3.3V \times (1050 / 10500) = 0.33V$
 $3.3V \times (950 / 10400) = 0.301V$
 $3.3V \times (1050 / 9600) = 0.3609V$
 $3.3V \times (950 / 9500) = 0.33V$

Max Error -0.03V ~ + 0.03V

Max Sensor Board Class is 30

0 V device 1 0 ~ 0.03V
 0.11V device 2 0.08V ~ 0.14V
 0.22V device 3 0.19V ~ 0.25V
 ..

Expansion Connector



MAIN

Title		
CX GYRO		
Size	Document Number	Rev
A	<Doc>	0.1
Date:	Tuesday, April 17, 2012	Sheet 4 of 4